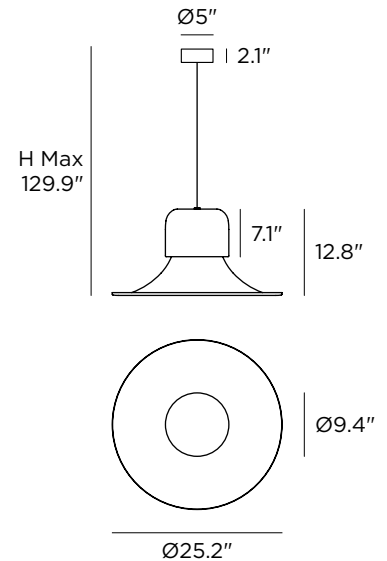


Pendant Luminaires | 120VAC | LED  
 White 9300 | Red 9301 | Aluminum 9302



Technical data	
Designer	Stilnovo
Origin year	1969
Type	Pendant Luminaires
Installation position	Ceiling
Installation environment	Indoor
Power	1 x 31 W
Lamp cap	1 x LED
Frequency	60 Hz
Optics	General Lighting
Light emission direction	Downward and upward
IP	IP20
CE	Yes
Dimmable	Yes
Directional	No
Tilting	No
Cable included	No
Net weight	8 lbs

Casing	
Material	Aluminum
Color	9300 White 9301 Red 9302 Aluminum
Processing	Coating
Mounting Frame	
Material	Steel
Color	9300 White 9301 Red 9302 Aluminum
Processing	Coating
Lamping (recommended)	
1 x 31W 2700K 90CRI	
Fixture lumens	3600 lm
Color temperature	2700 K
Color rendering index	90 CRI